



All Rights Reserved

Materials and specifications are subject to change without notice.
Featured machines in photos may include additional equipment.
See your XCMG dealer for available options.



XE210E

Hydraulic excavator

Euro stage IV



www.xcmg.com

XCMG Regional Departments:

Europe	(+86-516) 87739703 87739218 87739537	Africa	(+86-516) 87735009 87739222 87739283
West Asia & North Africa	(+86-516) 87739702 87739202 87739223	Central Asia	(+86-516) 87739236 87739239 87739538
Asia-Pacific	(+86-516) 87739128 87739500 87739529	America	(+86-516) 87739285 87739551 87739710

XUZHOU CONSTRUCTION MACHINERY GROUP IMP. & EXP. CO., LTD

Add: No.1, Tuolanshan Road, Xuzhou Economic Developing Zone, Jiangsu, China 221004

Fax: (+86-516) 87739230

E-mail: export@xcmg.com

Advanced Configuration

ECOLOGICAL AND ECONOMICAL

- ▶ Customized XCMG hydraulic excavator engine that meets Euro stage IV emission standards.
- ▶ The redox technology and exhaust gas recirculation technology to reduce gas emission.
- ▶ Operations in ECO mode can save more fuel for you.

MULTIPLE APPLICATION

- ▶ Variety of boom, stick and bucket matching to maximize utilization of different conditions.
- ▶ Multi-functional machine system meets various job requirements such as digging, crushing, and thumb clamp.

COMFORTABLE OPERATIONAL EXPERIENCE

- ▶ Air Conditioner and Heater ensure the appropriate temperature.
- ▶ Rear camera and right camera provide better view.
- ▶ Air-suspending seat equipped with electric heating function.
- ▶ Integrated control panel and large display screen provide multiple information.

SAFE AND DURABLE

- ▶ Upgrade undercarriage structure to improve load bearing performance.
- ▶ Strengthened key stress-bearing parts of chain links.
- ▶ Rops Cab improves safety.

CONVENIENT MAINTENANCE

- ▶ Easy maintenance design concept makes your maintenance done without dead angle.
- ▶ 500h maintenance period.

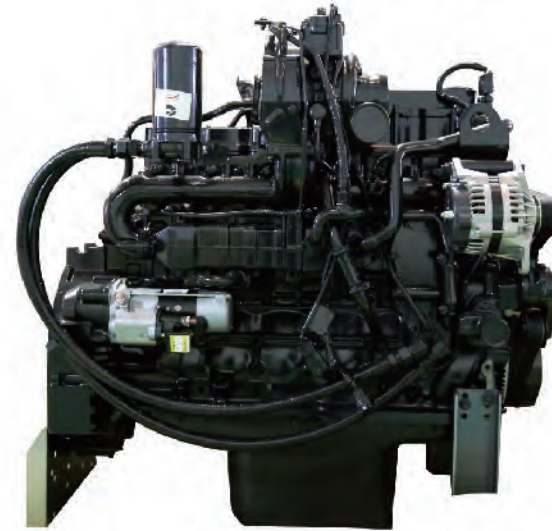
EXCELLENT AFTER-SALES SERVICE

- ▶ Global after-sales service system and quick response mechanism.
- ▶ Real-time technical consultation and maintenance.



Ecological and economical

- ▶ As the latest jointly developed environment-friendly engine that meets Tier IV emission standards, XE210E uses the redox technology and exhaust gas recirculation technology to reduce nitrogen oxide emission to 0.4g/k-Wh, efficiently reducing harmful substances discharged into the atmosphere.
- ▶ The new-type negative flow main control valve has characteristics of large diameter and low pressure loss, can reduce pressure loss by 30%, and realize high transmission efficiency; the newly developed meso-position unloading valve can reduce standby pressure from 4 Mpa to 0.3 Mpa and save energy by about 2%; the cancellation of boom priority valve helps eliminate throttling energy loss, saving about 1.7% of energy in leveling operation and 3.8% of energy in loading operation.



Multiple application conditions

- ▶ The independently developed multi-functional intelligent work tool control system can realize crushing, shearing, cleaning, compacting, milling, transporting, pinching, grasping, scraping, loosening, lifting, and other operations, and can truly integrate multiple operations into one machine.



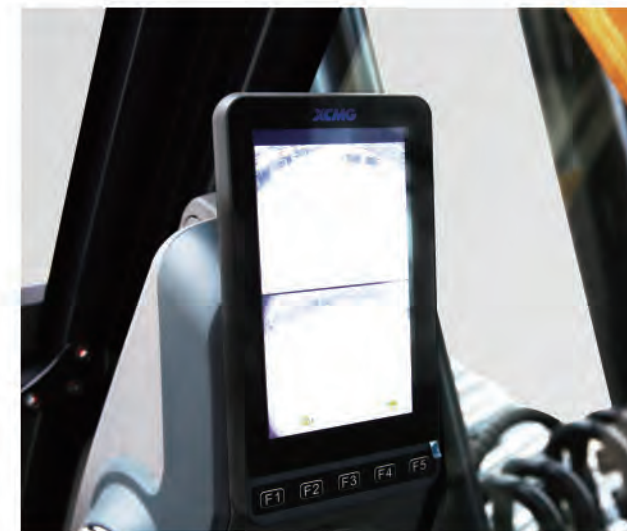
- ▶ The first-rate digging force can fully apply to complex construction environment

Comfortable and reliable

- ▶ Air conditioner and heater: Indoor and outdoor environment temperature can be sensed through sensors and automatically adjusted to comfortable temperature. A good comfortable environment for operators can be provided with the cooperation of a multi-position adjustable air outlet.



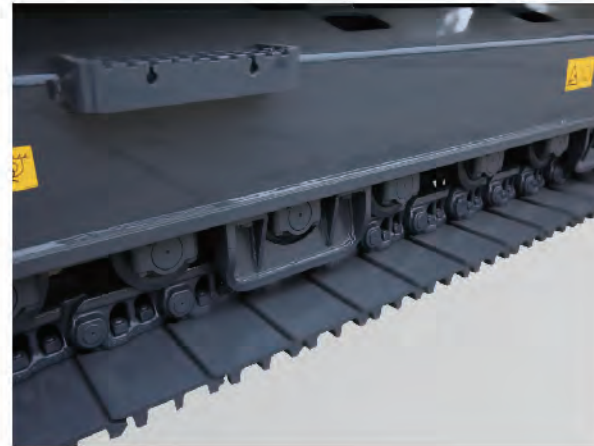
- ▶ Comfortable high-performance seats: air-suspending seats with electric heating functions can achieve multi-dimensional adjustment and isolation of vibration waves.



- ▶ New generation of instruments: high-end 7-inch large screen display, detailed page layout, clear picture quality, video playback function in addition to main functions, and supporting a variety of video formats.

Comfortable and reliable

▶ The longitudinal beam is changed from hill type to half-hill type, reinforcing ribs are added both inside and outside the guide holder, both left and right ribbed slabs of X frame are thickened by 6 mm and the cover plate is thickened by 2 mm, the stiffness of the whole chassis is better.



▶ Key stress-bearing parts of chain links are strengthened, and strength and impact resistance of chain links are improved, so the service life of crawler is prolonged.



▶ The boom uses the swallow tail design at the boot to reduce stress concentration. The arm side plate is thickened by 2 mm, and the front end uses T-sleeve with XCMG patent. The boom and arm use the forged axle bases to increase wear resistance after thermal refining.

▶ The side beam of turntable uses D-shaped pipe structure to improve the ability of turntable to resist external impact. Robot welding technology is used in the main body of turntable to improve durability and safety of structural parts.



▶ Anti-rolling cab can be equipped with top protection, front protection, side protection, meeting the requirements of anti-falling objects, and further improving the safety of the cab. Rear camera and right camera have better view.



Maintenance and service

▶ Accessible maintenance design reduces maintenance time by 10%, integrates electrical box, air filter, diesel filter, oil filter, pilot filter, and provides convenience to maintenance and replacement.



▶ Long maintenance period: Self-lubricating bearings are used in hinges of working devices, whose maintenance period can reach 500 hours. Maintenance periods of engine oil, oil filter element, and fuel filter element can be doubled to 500 hours using XCMG's proprietary technologies, so the maintenance periods are greatly prolonged.

▶ A wide range of after-sales service system, quick-response rescue mechanism to ensure that you use at ease.



Standard Configuration

Engine	Name of equipment	XE210E
	Engine model	QSB6.7
	Emission level	Satage IV
	Automatic preheating	
	Oil-water separator with water level indication sensor	
	Radial seal air cleaner	
	Air prefilter	
	50°C high temperature ambient cooling assembly	
	Radiator dust screen	
	Fuel marker	
	Oil-water quick release device	
	Electronically controlled silicone oil clutch	
	Fuel filling pump 50L / min	
Fuel breather valve		
Air pressure difference indicator		
Automatic idle speed		
Boom/arm flow regeneration		
Auxiliary hydraulic valve		
Reverse rotation damping valve		
Automatic rotation parking brake		
Hydraulic system	Hydraulic buffer valve	
	Straight hydraulic circuit	
	Boom priority valve	
	Rotary logic valve	
	Hydraulic oil ISO VG 46	
Hydraulic pipeline: breaking hammer and thumb clamp		

Hydraulic system

Operation mode switching

Rotary anti-sway valve

Spare valve plate

Gauge pressure monitoring

Pressurized cab

Fully adjustable mechanical suspension seat

Air suspension seat with cushion heating

Adjustable seat armrest

Seat belt (51 mm [2 "] wide)

Openable windscreen with auxiliary device

Front windshield divided by 70/30 ratio

Double laminated windshield and other toughened windows

Sliding door upper window

Cab and interior trim

 Bi-directional air outlet air conditioner with defroster
(automatic type) (pressurization function)

 Color liquid crystal display capable of displaying warning information,
filter / liquid replacement information and working hours

Control handle

Travel control pedal with detachable manual control lever

Two stereo speakers

Beverage cup holder

Coat and hat hook

Cleanable floor mat

Air conditioning system

High and low gears shift

One-key boost mode

Reserve switch for working aids

Cab and interior trim

Electric sunshade curtain

Top sunroof

Intermittent multi-gear wiper

Cup holder/envelope

Cold and warm storage box

Radio receiver

Safety and security configuration

Driving door locks and cabin locks

Alarm horn

Isolation plate between engine and oil pump chamber

Engine Emergency Stop Switch

Rear window emergency exit

Battery circuit breaker

Boom and arm retaining valve

Explosion-proof valve for boom pipeline

Overheat alarm

Safety handrails and pedals

Rotary alarm lamp

Anti-skid plate/anti-skid paste

Hydraulic safety locking lever

Emergency escape hammer

Left and right rearview mirrors

Counterweight rearview mirror

Chassis system and shield

Bottom frame traction ring

600 mm (24 ") three-rib track shoe

Protective device kit: chassis bottom sealing plate, walking motor sealing plate

Track double rail protector

Working device	Boom
	Arm 2.91 m
	Bucket 1.05M3 Strengthened Bucket
Electrical system	Arm 2.4 m
	Battery (2× 850CCA)
	70A alternator
	7.8 kW starter motor
	Travel alarm
	12V cigarette lighter
	Camera
	5V USB interface
Lighting lamp	Right and left boom work lights
	Right working light installed on storage box
	Cab interior lighting
Counterweight	4.25 t counterweight
Technology	XEICS intelligent control system
	Data link socket

Optional Configuration

	Name of equipment	XE160W
Engine	Oil-water separator with heater (24V)	
	Oil bath type air prefilter	
	Coolant heater (fuel type)	
Hydraulic system	Rapid fuel filling system	
	Hydraulic oil ISO VG 32, 68	
Cab and interior trim	Retractable seat belt (51 mm [2 "] wide)	
	Vehicle mounted oxygen supply device	
	Fire extinguisher	
	Explosion-proof valve for arm pipeline	
	Roll over protective structure (ROPS)	
	Falling object protective structure (FOPS)	
	Track single rail protector	
	230 mm (24 ") double-rib track shoe	
Chassis system and shield	700 mm (28 ") three-rib track shoe	
	800 mm (31 ") double-rib track shoe	
	600 mm (24 ") three-rib track shoe	
	800 mm (31 ") three-rib track shoe	
	Track rubber block	
	Full-length track guard (two-piece, lower frame needs to be replaced)	
Working device	1.0m3 Rock bucket	
	1.2m3 Earthwork bucket	
	Quick coupler	
	Hydraulic breaker	
	Hydraulic thumb pliers	
	Ripper	

Main specifications

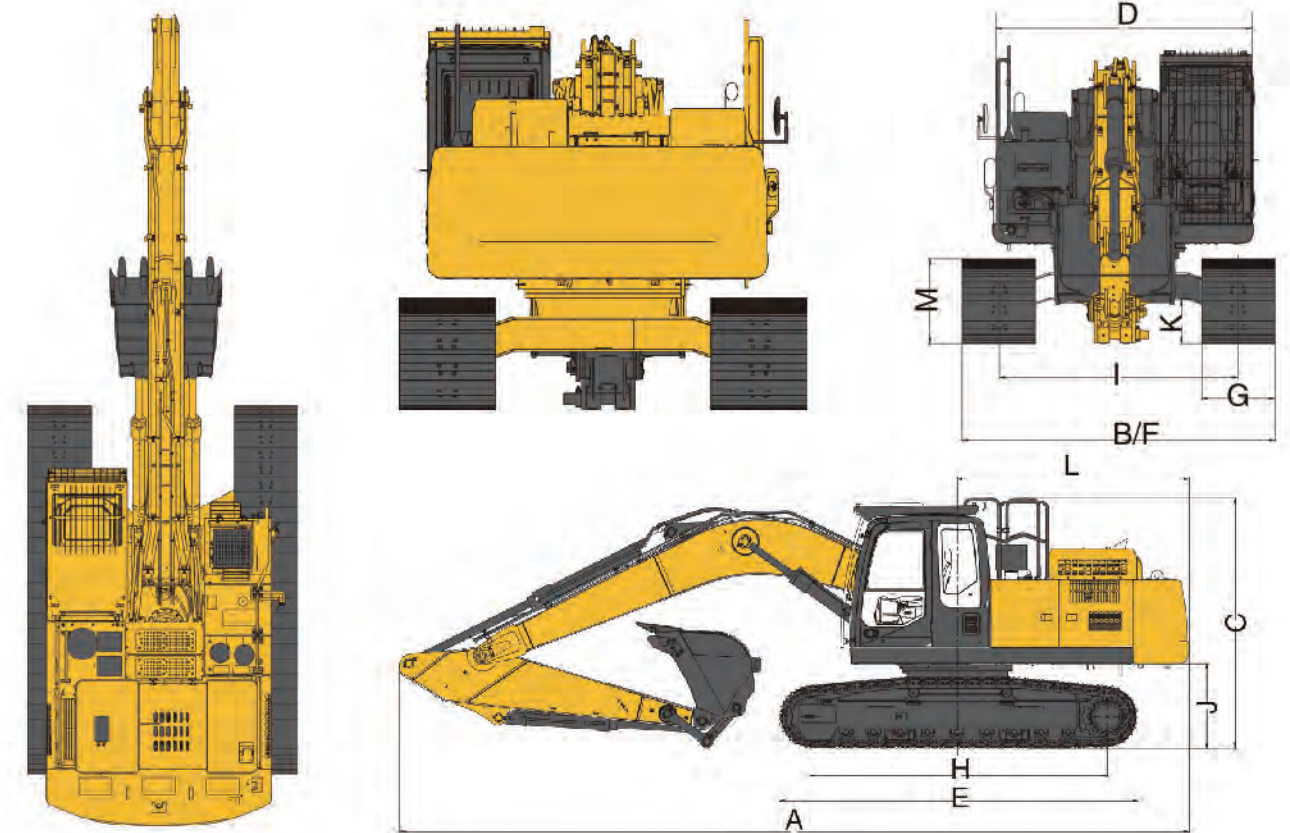
Working device	Vibratory plate compactor
	Hydraulic shear
	Grapples
	High frequency crusher
	Clamshell bucket
	Scrap grapple
	Screening bucket
	Pipe grab
	24V cigarette lighter
	12V power interface
Lighting lamp	Front working light installed on cab top
	Rear working light installed on cab top
Counterweight	200 kg auxiliary counterweight
Lubrication system	Electric self-lubricating system
	Arm concentration

	Item	Unit	Parameters
	Model	Operating weight	Operating weight
	Operating weight	Kg	21000-23000
	Bucket capacity	m ³	0.9-1.2
	Model	/	Cummins QSB6.7
Engine	Direct injection	/	√
	Four strokes	/	√
	Water cooling	/	√
	Turbo-charging	/	√
	Air-to-air intercooler	/	√
	No. of cylinders	/	6
	Rated power	kw/rpm	129/2100
	Maximum torque/speed	N.m/rpm	800/1500
	Displacement	L	6.7
	Main Performance	Travel speed(H/L)	km/h
Swing speed		r/min	11.8
Gradeability		°	≤35
Ground pressure		kPa	45
Bucket digging force		kN	149
Arm digging force		kN	111
Maximum tractive force		kN	184
Hydraulic System	Main pump	/	/
	Rated flow of main pump	L/min	2×225
	Main safety valve pressure	MPa	34.3/37
	Travel system pressure	MPa	34.3
	Swing system pressure	MPa	27.5
	Pilot system pressure	MPa	3.9

	Item	Unit	Parameters
Oil Capacity	Fuel tank capacity	L	420
	Hydraulic tank capacity	L	300
	Engine oil capacity	L	24
Standard	Length of boom	mm	5680
	Length of arm	mm	2910
	Bucket capacity	m ³	1.2
Optional	Length of arm	mm	2400
	Bucket capacity	m ³	1.0(Rock bucket)

Dimensions

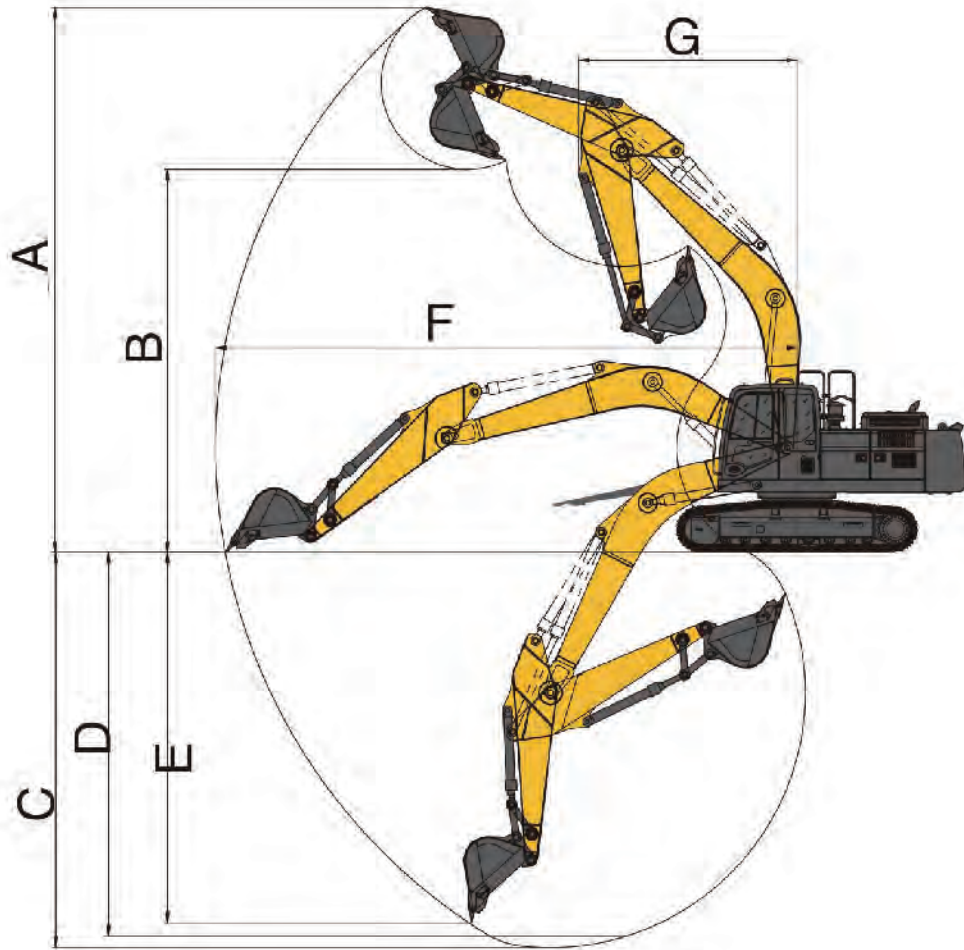
	Item	Unit	Parameters
Overall Dimensions	A Overall length	mm	10220
	B Overall width	mm	2990
	C Overall height	mm	3300
	D Width of platform	mm	2830
	E Track length	mm	4455
	F Overall width of chassis	mm	2990
	G Track shoe width	mm	600
	H Wheel base of crawler	mm	3647
	I Track gauge	mm	2390
	J Counterweight clearance	mm	1053
	K Minimum ground clearance	mm	485
	L Minimum tail swing radius	mm	2985
	M Track height	mm	810



Working Range

Item	Unit	Parameters
A Maximum digging height	mm	9620
B Maximum dumping height	mm	6780
C Maximum digging depth	mm	6680
D Maximum depth cut for 2240mm(8 ft) level bottom	mm	6500
E Maximum vertical wall digging depth	mm	5715
F Maximum digging radius	mm	9940
G Minimum swing radius	mm	3530

Working Range


Lifting capacity

Lifting point height (m)	Rated lift capacity – Straight ahead (back) (kg)					Lifting capacity at maximum radius	Rated lift capacity – over-side (kg)					Lifting capacity at maximum radius
	Lifting point radius (m)						Lifting point radius (m)					
	1.5	3	4.5	6	7.5		1.5/4.9	3/9.8	4.5/14.8	6/19.7	7.5/24.6	
7.5				*5030.7		*4638				4411.4		4229.7
6				*4938.2		*4326.2				4420.6		3173.2
4.5				*5363.9	4725.7	4259.4				4266.2	2986.8	2681.9
3				*6080.1	4620.8	3904.5			6103.6	4027.5	2890.9	2435.3
1.5			*9324.9	6251.2	4499.3	3776			5615.9	3799	2779.8	2334.2
Ground		*4968.2	9440.8	6064.9	4399.3	3850.9		9907.3	5357.4	3633.5	2688.3	2365
-1.5	*5614.4	*9343.5	9332	5972.6	4375.8	4169.5	*5614.4	*9343.5	5266.4	3551.6	2666.7	2548.7
-3	*10251	*14177	9413	6016.9		4925.3	*10251	10150	5334.2	3590.9		2996.6
-4.5		*11822	*8325.4			*6430.7		10478	5532.1			4153

Capacities marked with an asterisk(*) are limited by hydraulic capacities.