



All Rights Reserved

Materials and specifications are subject to change without notice.
Featured machines in photos may include additional equipment.
See your XCMG dealer for available options.



XE160W

Wheeled Excavator

Euro Stage IV



www.xcmg.com

XCMG Regional Departments:

Europe	(+86-516) 87739703 87739218 87739537	Africa	(+86-516) 87735009 87739222 87739283
West Asia & North Africa	(+86-516) 87739702 87739202 87739223	Central Asia	(+86-516) 87739236 87739239 87739538
Asia-Pacific	(+86-516) 87739128 87739500 87739529	America	(+86-516) 87739285 87739551 87739710

XUZHOU CONSTRUCTION MACHINERY GROUP IMP. & EXP. CO., LTD

Add: No.1, Tuolanshan Road, Xuzhou Economic Developing Zone, Jiangsu, China 221004

Fax: (+86-516) 87739230

E-mail: export@xcmg.com

XE160W Advanced Configuration

ECOLOGICAL AND ECONOMICAL

- ▶ The in-line, water-cooled, high-pressure, and common rail engine consumes less fuel and can meet the Euro Stage IV Emission Standard.
- ▶ The excellent matching of hydraulic system and engine is more powerful and fuel saving.
- ▶ Operations in ECO mode can save more fuel for you.

INTELLIGENT CONTROL

- ▶ Integrated control panel and large display screen provide multiple information.
- ▶ Constant-speed cruise control reduces driving fatigue.
- ▶ Undercarriage system with modular design improves vehicle's adaptability.

MULTIPLE APPLICATION

- ▶ Double-boom working device maximizes the utilization rate of equipment.
- ▶ High/low/slow gears provided, adapt to complex terrain with its super high traction.
- ▶ Multiple additional configurations meet a variety of operating requirement.



COMFORTABLE OPERATING EXPERIENCE

- ▶ The HVAC ensures the appropriate temperature.
- ▶ Toughened glass cockpit with good safety view.
- ▶ Detailed design concept improves comfort.

SAFE AND DURABLE

- ▶ Forging technology and robotic welding are adopted in key positions.
- ▶ Integrated electric system runs reliably.
- ▶ Waterproofing electrical plug-in components.
- ▶ D-shaped frame and chassis reduces deformation.

CONVENIENT MAINTENANCE

- ▶ Advanced maintenance design concept helps your maintenance easier without dead angle.
- ▶ Electric centralized lubrication makes daily maintenance easier.

EXCELLENT AFTER-SALES SERVICE

- ▶ Global after-sales service system and quick response mechanism.
- ▶ Real-time technical consultation and maintenance.

Ecological And Economical

- ▶ The in-line, water-cooled, high-pressure, and common rail engine consumes less fuel and can meet the Euro Stage IV Emission Standard, meanwhile provides strong power, high universalization of spare parts, and low cost of comprehensive maintenance.
- ▶ The improved new-generation hydraulic system can take full use of the engine power, as well as improve the maneuverability and operational response speed, to achieve higher operational efficiency and operation security.
- ▶ Operations in ECO mode can save more fuel for you.



Comfortable And Reliable

- ▶ The newly designed cab enjoys a huge view and low noise. In the cab, seats can slide all around and be adjusted to a comfortable position relative to the control handle and foot pedal. The HVAC system, integrated control panel, 8-inch large display screen, enlarged skylight shade, comfortable foot pedal, easy-to-clean footpads, multiple storage boxes, heat/cold storage boxes, and adjustable steering column form a control environment that conforms to ergonomics.



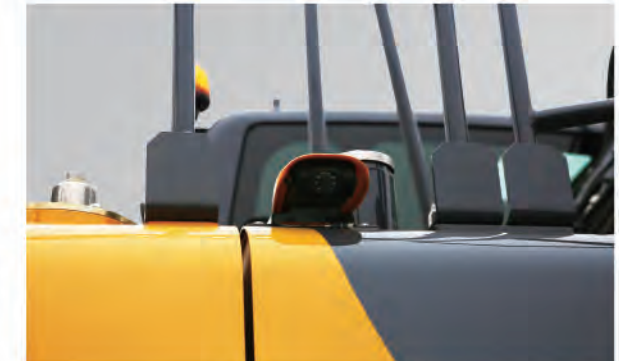
Multiple Application Conditions

- ▶ Operational ability: The first-rate digging force can fully apply to complex construction environment.
- ▶ Production efficiency: Double-boom working device and a variety of optional accessories can maximize the utilization rate of equipment.



- ▶ Excellent driving performance: With high/low/slow gears provided, the vehicle can adapt to complex terrain due to its super high traction.
- ▶ Size: Ideal size and working range can meet transportation, driving, and construction requirements.

- ▶ The equipped safety operation lights (2 for the boom, 2 in the front of the cab, and 1 at the rear of the cab), driving lights (lighting, steering, braking, reversing), rotating warning lights, backup buzzer, rearview mirror, and image system meet requirements of day and night operation and driving safety.



Comfortable and reliable

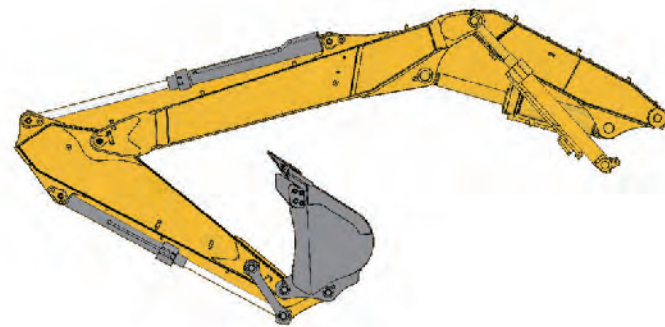


▶ Work device: With advanced design means used, forging technology and robotic welding are adopted in key positions to prolong the service life of tooling.

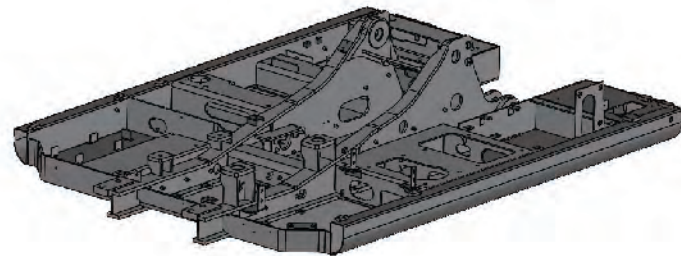


▶ Bucket: The service life of products is prolonged for that special wear-resistant steel plates are used for cutting plates, and wear-resistant bucket teeth and side teeth are equipped.

▶ Axle box: Durable and efficient new-type ZF axle box has super walking ability.



▶ D-shaped frame and chassis: CAE design helps increase strength of D-shaped frame and chassis and reduces deformation caused by impacts.



▶ Chassis is parallel with dozer blade and auxiliary stabilizing outriggers: Design of parallel-moving dozer blade help maintain the stability of machine support and soil mixing.



▶ Integrated electric system centralized control: concise design and reliable system. Electrical plug-in components with the world's first-class quality reach the waterproofing grade of IP56 and are more reliable.



Smart control



▶ Rich instrument information: engine coolant and hydraulic oil temperature, fuel level, mode state, AdBlue content, working time, average fuel efficiency (advanced settings), etc.



▶ Constant-speed cruise control reduces driving fatigue. Automatic oscillation locking mode meets different driving conditions.

▶ The integrated function button and rocker switch adopt humanized light transmission design and can operate safely in dark environment.

▶ Chassis system with modular design: It can satisfy customer's different configurations of bucket storage rack, auxiliary outrigger, and dozer blades, meet customer's customized demands, and improve vehicle's adaptability.



Maintenance And service

▶ Easy maintenance: All kinds of maintenance filters are accessible when maintainers stand on the ground

▶ Large handrails and skid-proof measures make the maintenance of engine compartment safer and more convenient.



▶ The radiator and filter are easy to clean and replace.

▶ Diesel filling pump makes it more convenient to fill daily fuel.

▶ Electric centralized lubrication makes daily maintenance easier and more convenient.

▶ A wide range of after-sales service system, quick-response rescue mechanism to ensure that you use at ease.



Standard Configuration

	Name of equipment	XE160W
	Engine model	QSB4.5
	Emission level	EU STAGE IV
	Automatic preheating	
	Oil-water separator with water level indication sensor	
	Radial seal air cleaner	
Engine	Air prefilter	
	50°C high temperature ambient cooling assembly	
	Radiator dust screen	
	Fuel marker	
	Fuel filling pump 50L / min	
	Fuel breather valve	
	Air pressure difference indicator	
	Automatic idle speed	
	Auxiliary hydraulic valve	
	Reverse rotation damping valve	
Hydraulic system	Automatic rotation parking brake	
	Hydraulic buffer valve	
	Straight hydraulic circuit	
	Rotary logic valve	
	Hydraulic oil ISO VG 46	
	Hydraulic pipeline: breaking hammer and thumb clamp	
	Operation mode switching	
	Rotary anti-sway valve	
	Spare valve plate	
	Gauge pressure monitoring	

	Fully adjustable mechanical suspension seat
	Adjustable seat armrest
	Seat belt (51 mm [2 "] wide)
	Openable windscreen with auxiliary device
	Front windshield divided by 70/30 ratio
	Double laminated windshield and other toughened windows
	Sliding door upper window
	Bi-directional air outlet air conditioner with defroster (automatic type) (pressurization function)
Cab and interior trim	Color liquid crystal display capable of displaying warning information, filter / liquid replacement information and working hours
	Control handle
	Travel control pedal with detachable manual control lever
	Two stereo speakers
	Beverage cup holder
	Coat and hat hook
	Cleanable floor mat
	Air conditioning system
	High and low gears shift
	One-key boost mode
	Top sunroof
	Intermittent multi-gear wiper
	Cup holder/envelope
	Cold and warm storage box
	Radio receiver

	Driving door locks and cabin locks
	Alarm horn
	Isolation plate between engine and oil pump chamber
	Rear window emergency exit
	Battery circuit breaker
	Boom and arm retaining valve
Safety and security configuration	Explosion-proof valve for boom and arm pipeline
	Overheat alarm
	Safety handrails and pedals
	Rotary alarm lamp
	Anti-skid plate/anti-skid paste
	Hydraulic safety locking lever
	Emergency escape hammer
	Left and right rearview mirrors
	Front drive axle with steering
	Rear rigid drive axle
Chassis system and shield	10.00-20 tyre
	Dozer blade
	Outrigger and dozer blade guard
	Two tool cases
Equipment	Boom 4.988m
	Arm 2.1 m
	Bucket 0.58M3 Strengthened Bucket
Electrical system	Battery (2×750CCA)
	70A alternator
	4.8 kW starter motor

Electrical system	Travel alarm
	24V cigarette lighter
	Camera
	5V USB interface
Lighting lamp	Right and left boom work lights
	Cab interior lighting
	Front working light installed on cab top
	Rear working light installed on cab top
	Headlights installed in front of the turntable
	Steering lights installed on the left and right sides of the turntable
	Rear headlights installed behind the counterweight
Counterweight	2.2 t counterweight
Technology	Intelligent control system
	Data link socket
Lubrication system	Electric self-lubricating system
	Arm concentration

Optional Configuration

	Name of equipment	XE160W
Engine	Oil-water separator with heater (24V)	
	Oil bath type air prefilter	
	Coolant heater (fuel type)	
	Rapid Refueling system	
Hydraulic system	Hydraulic oil ISO VG 32, 68	
	Pressurized cab	
Cab and interior trim	Air suspension seat with cushion heating	
	Retractable seat belt (51 mm [2 "] wide)	
	Vehicle mounted oxygen supply device	
	Fire extinguisher	
	Reserve switch for working aids	
	Electric sunshade curtain	
Safety and security configuration	Engine Emergency Stop Switch	
	Counterweight rearview mirror	
	Roll over protective structure (ROPS)	
	Falling object protective structure (FOPS)	
Chassis system and shield	Single tyre	
	Outrigger assembly	
Equipment	Arm 2.5 m	
	Quick coupler	
	Hydraulic breaker	
	Hydraulic thumb pliers	
	Ripper	
	Vibratory plate compactor	
	Hydraulic shear	

Equipment	Grapples
	High frequency crusher
	Clamshell bucket
	Scrap grapple
	Screening bucket
Electrical system	Pipe grab
	12V cigarette lighter
	12V power interface

Main Specifications

	Item	Unit	Parameters
	Model	Kg	XE160W
	Operating weight	Kg	15500
	Bucket capacity	m ³	0.58
Engine	Model	/	Cummins QSB4.5
	Electronic injection	/	√
	Four strokes	/	√
	Water cooling	/	√
	Turbo-charging	/	√
	Air-to-air intercooler	/	√
	No. of cylinders	/	4
	Rated power	kw/rpm	104/2000
	Maximum torque/speed	N.m/rpm	620/1500
	Displacement	L	4.5
Main Performance	Travel speed	km/h	35/8/3
	Swing speed	r/min	10
	Gradeability	°	≤35
	Bucket digging force	kN	103.5
	Arm digging force	kN	76
Hydraulic System	Maximum tractive force	kN	96.8
	Main pump	/	/
	Rated flow of main pump	L/min	270
	Main safety valve pressure	Mpa	340
	Travel system pressure	Mpa	370
	Swing system pressure	Mpa	280
	Pilot system pressure	Mpa	32

	Item	Unit	Parameters
Oil Capacity	Fuel tank capacity	L	250
	Hydraulic tank capacity	L	130
	Engine oil capacity	L	11
Standard	Length of boom	mm	4988
	Length of arm	mm	2100
	Bucket capacity	m ³	0.58
Optional	Length of arm	mm	2500
	Bucket capacity	m ³	0.24~0.76

Lifting Capacity

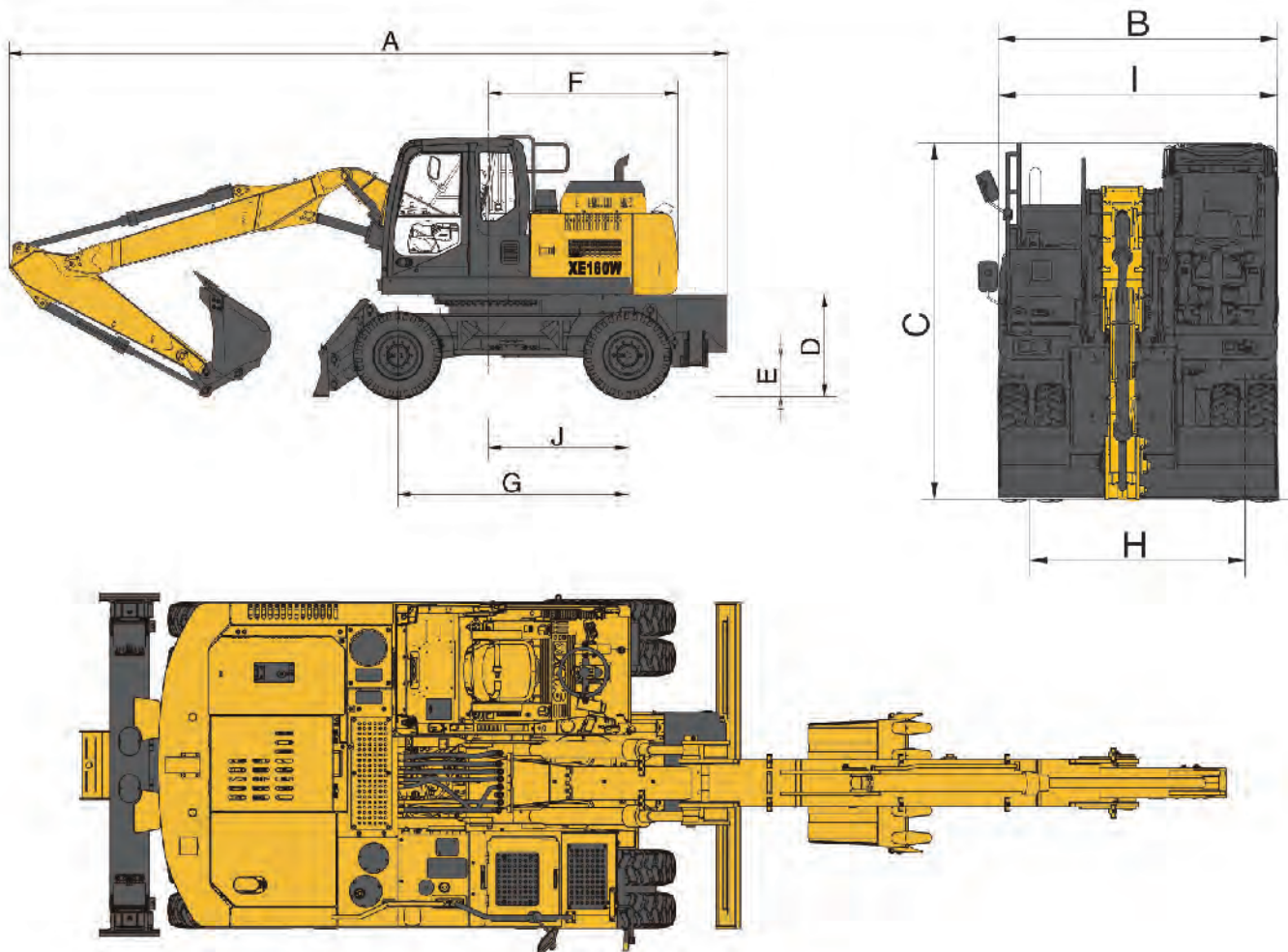
Lifting point height (m)	Rated lift capacity – Straight ahead (back) (kg)				Rated lift capacity – over-side (kg)			
	Lifting point radius (m)			Lifting capacity at maximum radius	Lifting point radius (m)			Lifting capacity at maximum radius
	3	4.5	6		1.5	4.5	6	
8.026				*4010				*4010
7.5				*3595				*3595
6		*4360		*2980		*4360		*2980
4.5	*6140	*4905	*4425	*2795	*6140	*4905	3815	*2795
3		*5950	*4790	*2790		5750	3710	*2790
1.5		*6940	*5230	*2940		5470	3595	2900
Ground		*7385	*5460	*3280		5330	3520	2955
-1.5		*7140	*5155	*4000	*8900	5315	3525	3370

Capacities marked with an asterisk(*) are limited by hydraulic capacities.

Dimensions

Item	Unit	Parameters
A Overall length	mm	8750
B Overall width	mm	2495
C Overall height	mm	3180
D Clearance under counterweight	mm	1247.5
E Minimum ground clearance	mm	479
F Minimum tail swing radius	mm	2310
G Wheel base	mm	2800
H Tread width	mm	1920
I Width of platform	mm	2490
J The distance from front axle to the rotary center	mm	1700

Overall Dimensions



Working Range

Item	Unit	Parameters
A Maximum digging height	mm	9150
B Maximum dumping height	mm	6684
C Maximum digging depth	mm	5040
D Maximum depth cut for 2240mm(8 ft) level bottom	mm	4825
E Maximum vertical wall digging depth	mm	4448
F Maximum digging radius	mm	8296
G Minimum swing radius	mm	2493

Working Range

